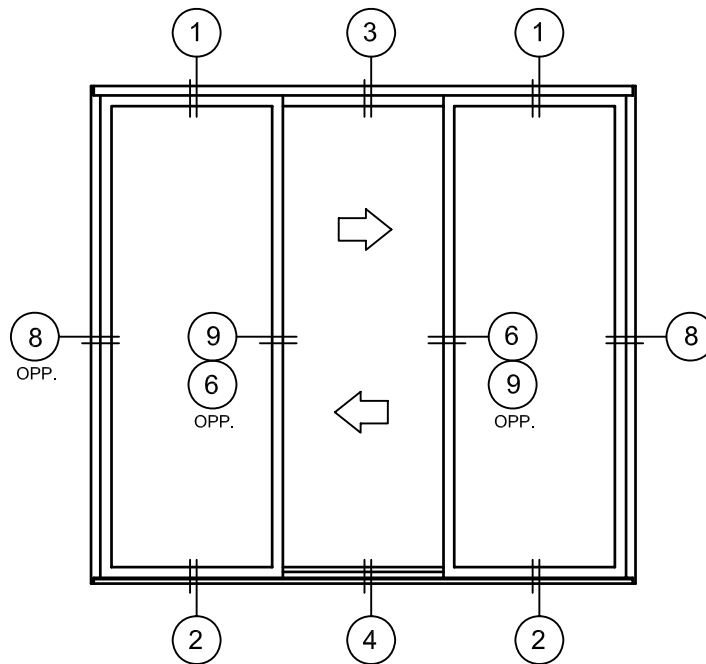
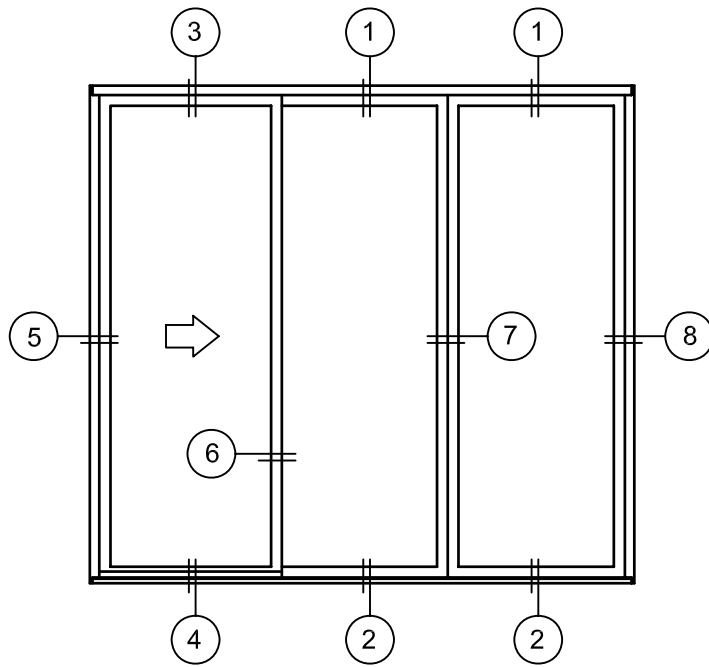


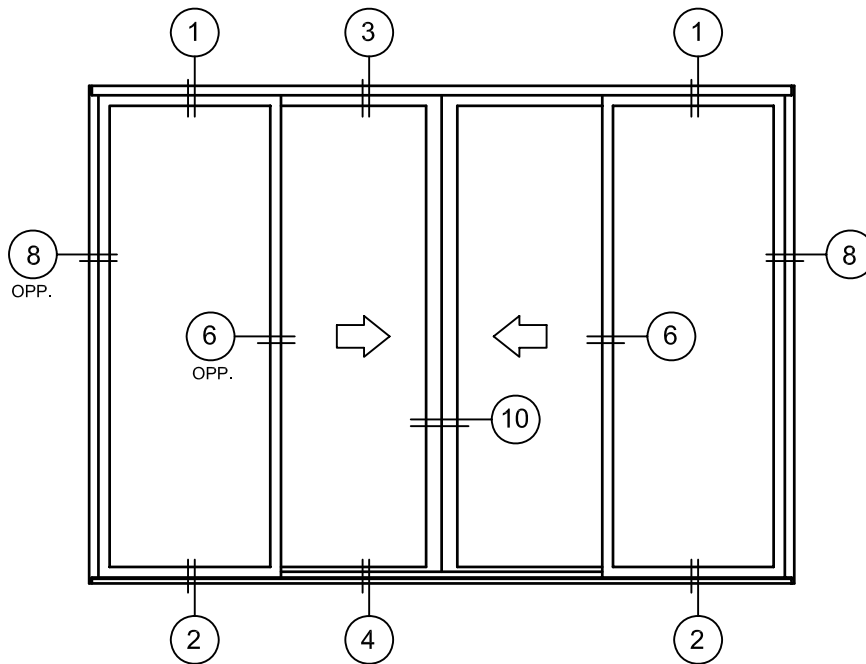
XO DOOR (SHOWN)
OX DOOR (OPPOSITE HAND)



OXO DOOR



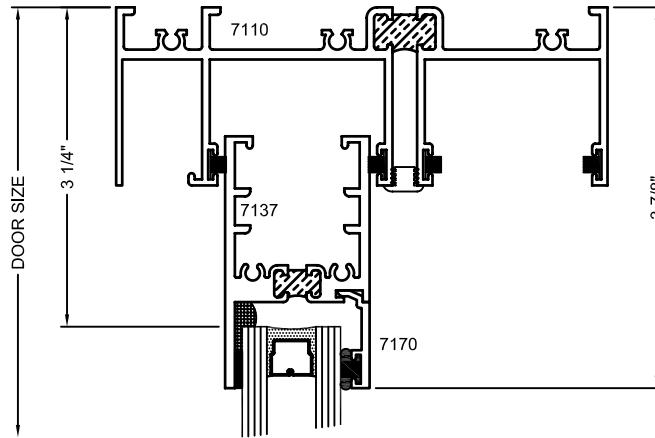
XOO DOOR



OXXO DOOR

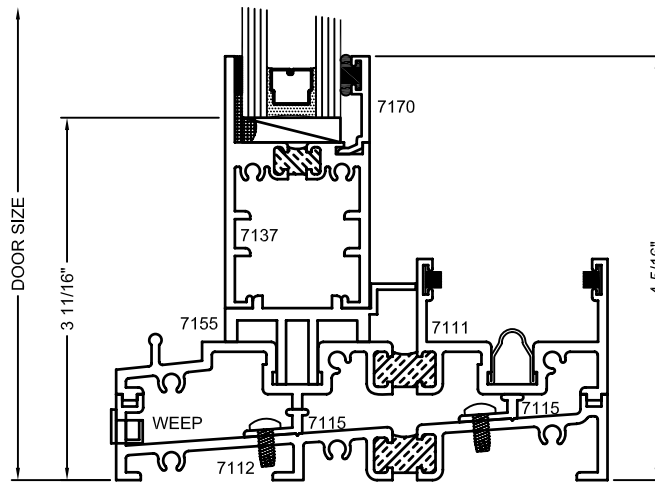
1

HEAD DETAIL

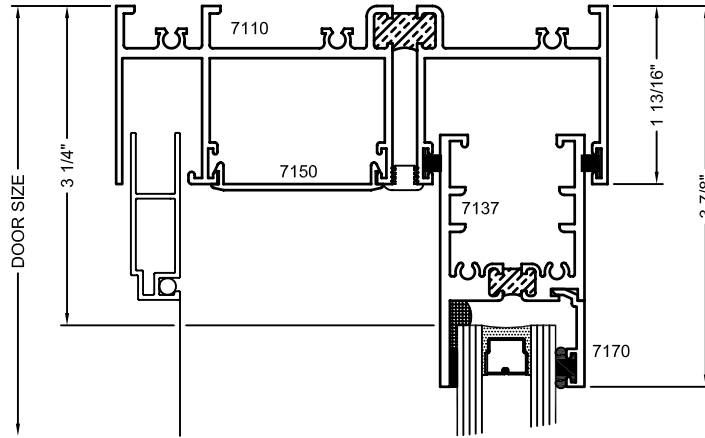


2

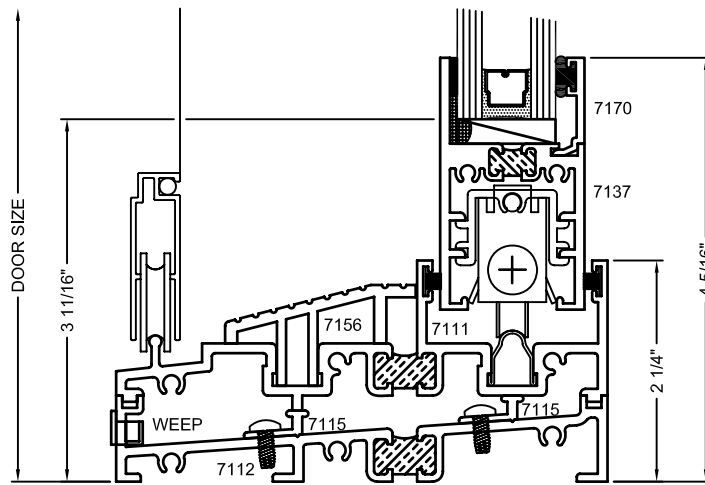
SILL DETAIL



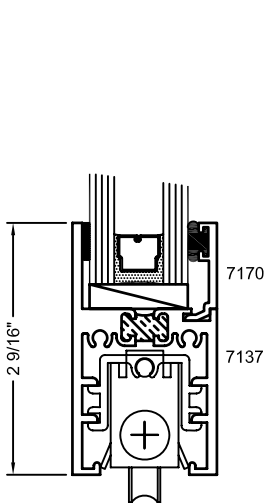
3
HEAD DETAIL



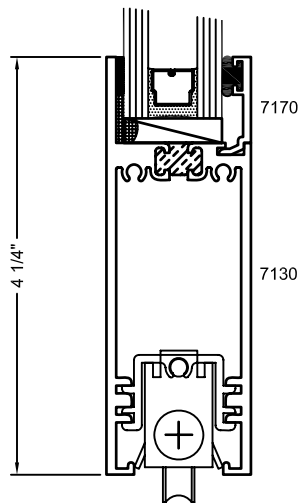
4
SILL DETAIL



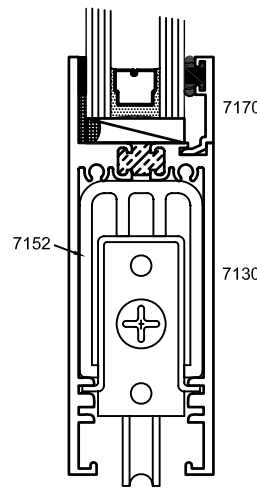
Alternate Bottom Rail Details



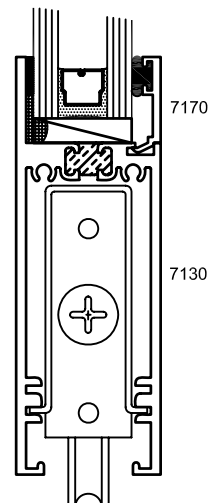
Standard bottom rail to accept standard steel ball bearing rollers.



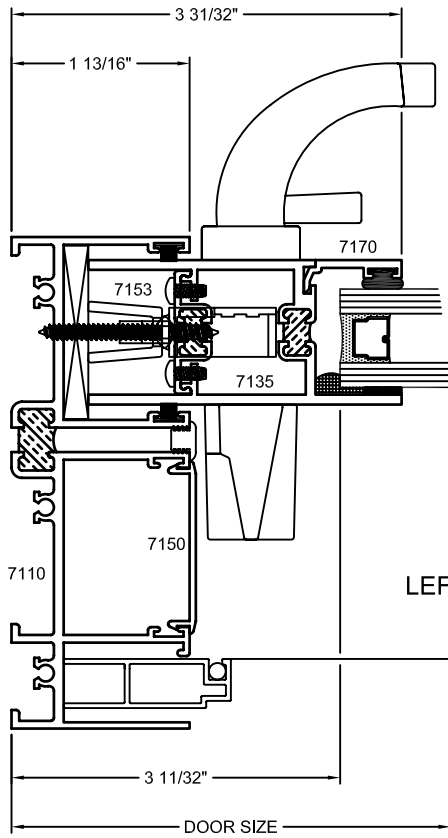
Tall bottom rail to accept standard steel ball bearing rollers.



Tall bottom rail to accept medium duty stainless steel ball bearing rollers.



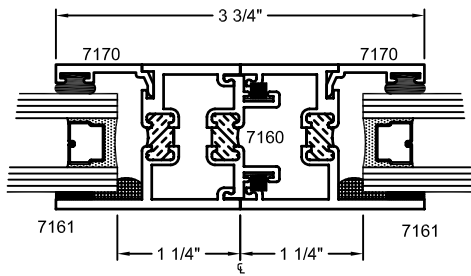
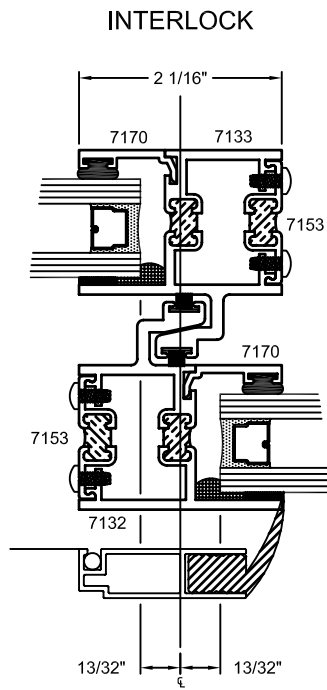
Tall bottom rail to accept heavy duty 3" stainless steel ball bearing rollers.



5

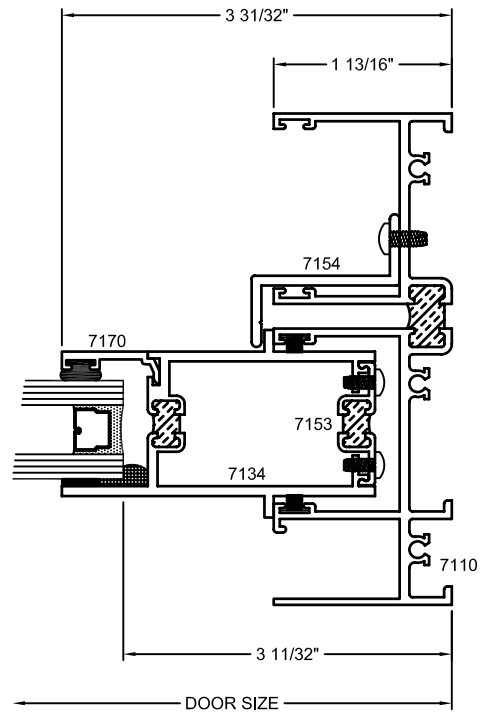
LEFT JAMB (OPERABLE)

6



7

OO CONNECTION

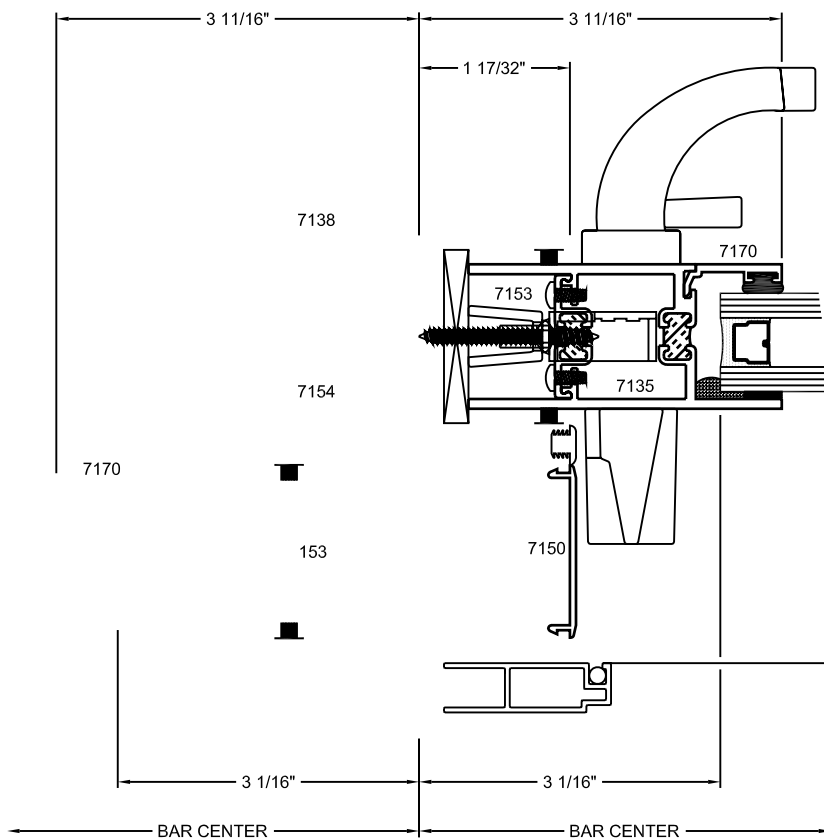


8

RIGHT JAMB (FIXED)

9

OXO ADAPTOR



10

OXO ADAPTOR

