

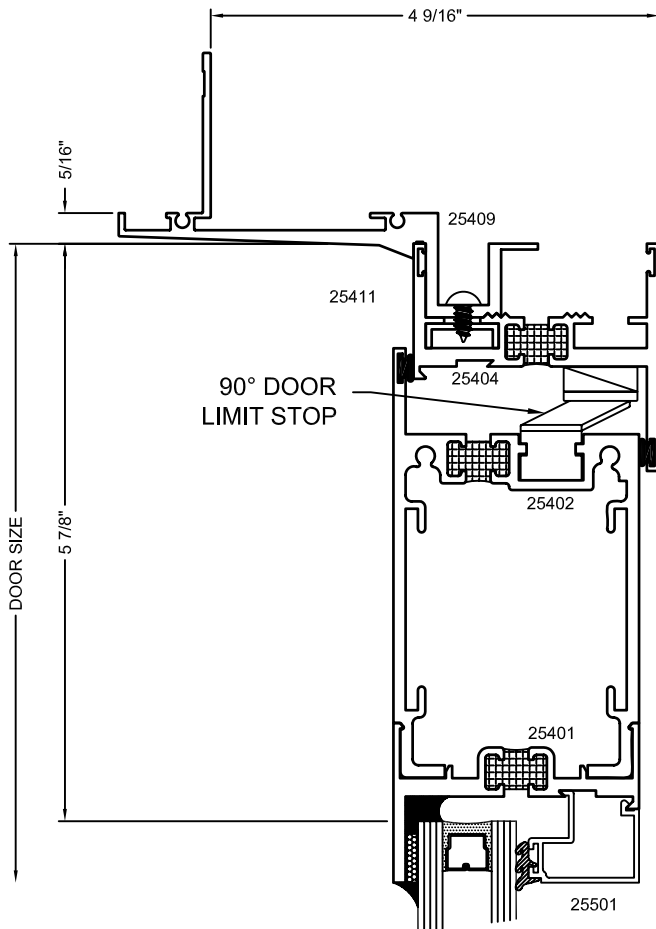
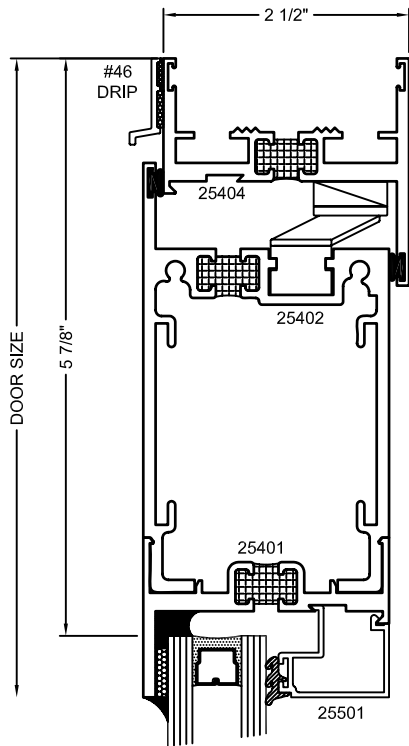
Lefthand Hinged Door (Shown)
Righthand Hinged Door (Opposite)

The TORRANCE ALUMINUM Series 900 ADA compliant Architectural Terrace Door is a high performance 2 1/2" swing door with great aesthetic qualities.

The Series 900 Architectural Terrace Doors utilize multi-point locking hardware. They can be manufactured as outswing terrace doors with inside or outside glazing. A wide variety of levers and escutcheons are available. These doors will accept 5/8" to 1 1/2" insulated glass .

ELEVATIONS ARE VIEWED FROM THE EXTERIOR

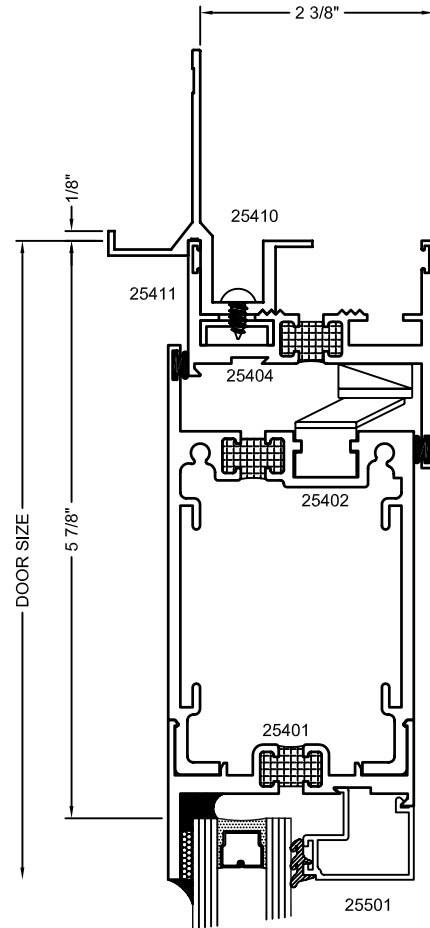
1
HEAD DETAIL



Optional Nail-On fin for
Head and Jamb

1a

HEAD DETAIL

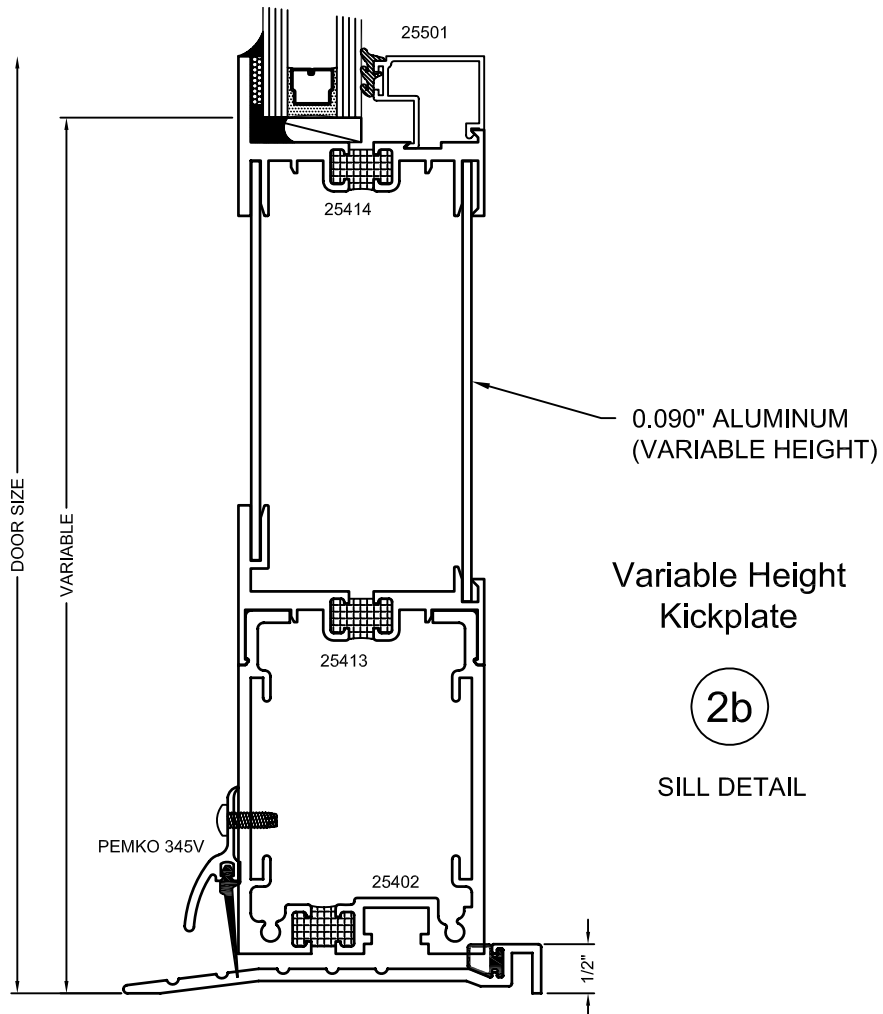
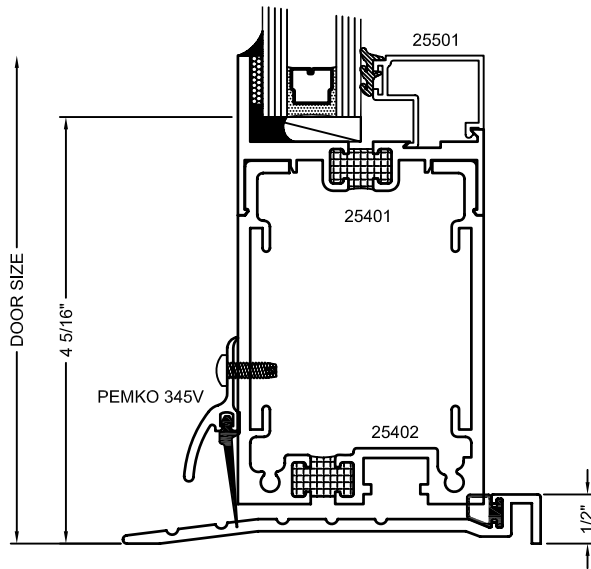


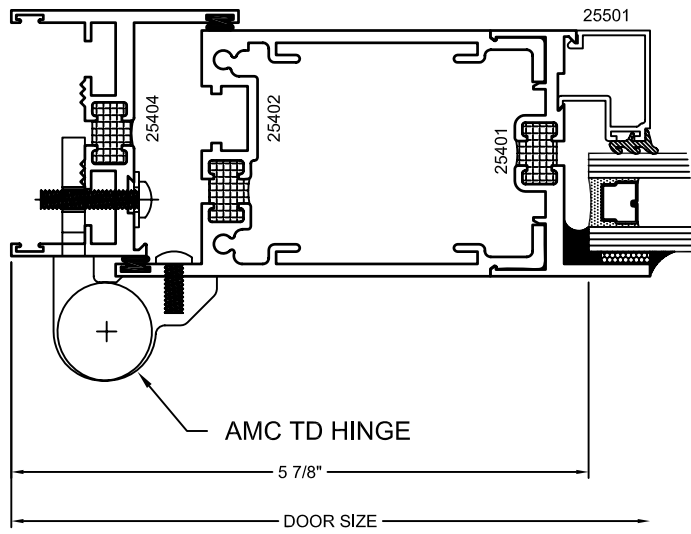
Optional Deep Nail-On
fin for Head and Jamb

1b

HEAD DETAIL

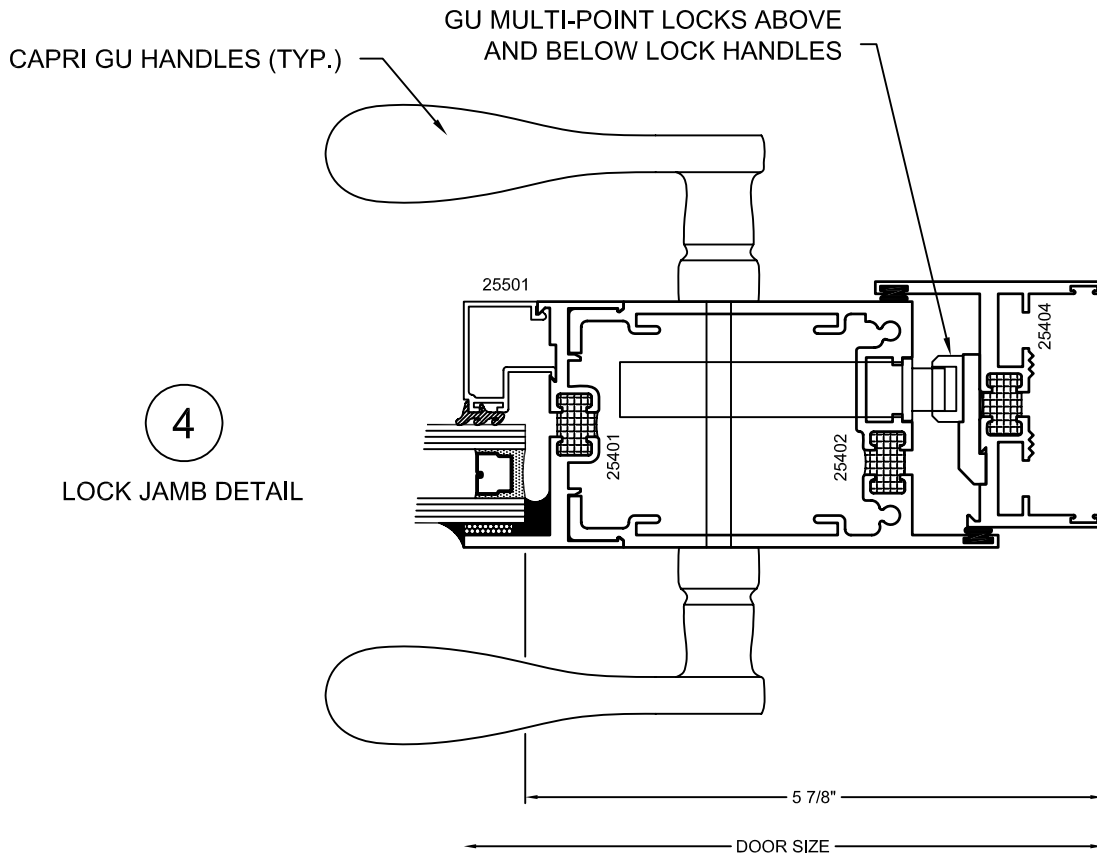
2
SILL DETAIL





3

HINGE JAMB DETAIL



4

LOCK JAMB DETAIL

5/8" GLASS
#1031 VINYL
1/8" X 1/2" GLAZING TAPE

1" GLASS
#1031 VINYL
1/8" X 1/2" GLAZING TAPE

1 1/2" GLASS
#3662 VINYL
1/8" X 1/2" GLAZING TAPE

Inside Glazed: Sloped Glazing Bead

1 1/2" GLASS
#3662 VINYL
1/8" X 1/2" GLAZING TAPE

1" GLASS
#1031 VINYL
1/8" X 1/2" GLAZING TAPE



5/8" GLASS
#1031 VINYL
1/8" X 1/2" GLAZING TAPE

1" GLASS
#1031 VINYL
1/8" X 1/2" GLAZING TAPE

1 1/2" GLASS
#3662 VINYL
1/8" X 1/2" GLAZING TAPE

1 1/2" GLASS
#3662 VINYL
1/8" X 1/2" GLAZING TAPE

1" GLASS
#1031 VINYL
1/8" X 1/2" GLAZING TAPE